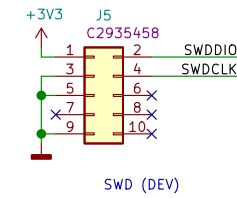
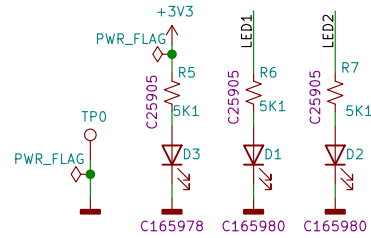
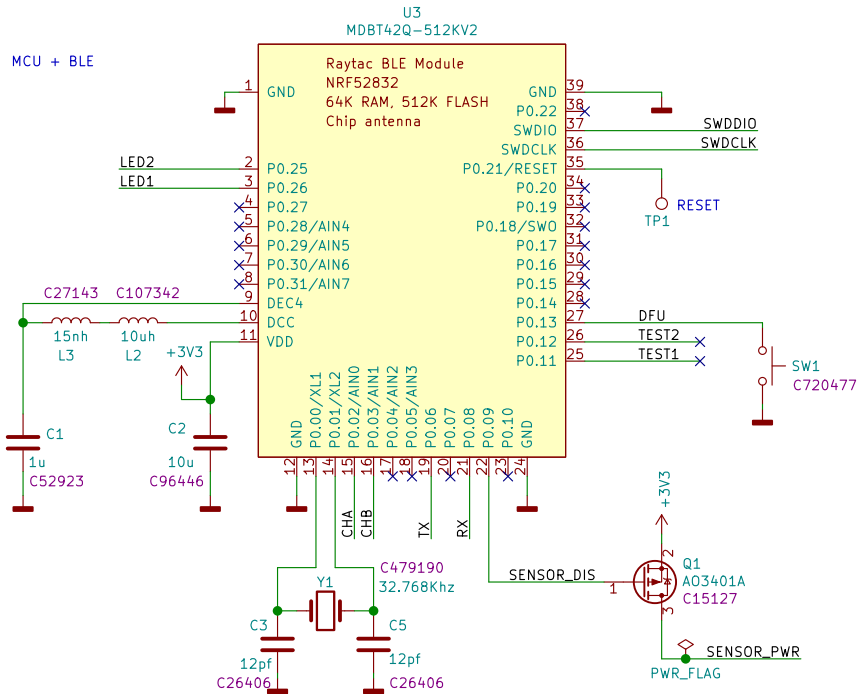


	JP1	JP2
Operation	1-2	1-2
Dev	2-3	2-3



TODO: Consider replacing the DC/DC with an insulated one.

STEPPER MOTOR BLE PROBE V1.1

