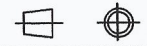


MOTECH MOTOR CO.,LTD

Product Name

Hybrid Stepper Motor
MT-1704HSM168RE



Rev A

Made by

P.T

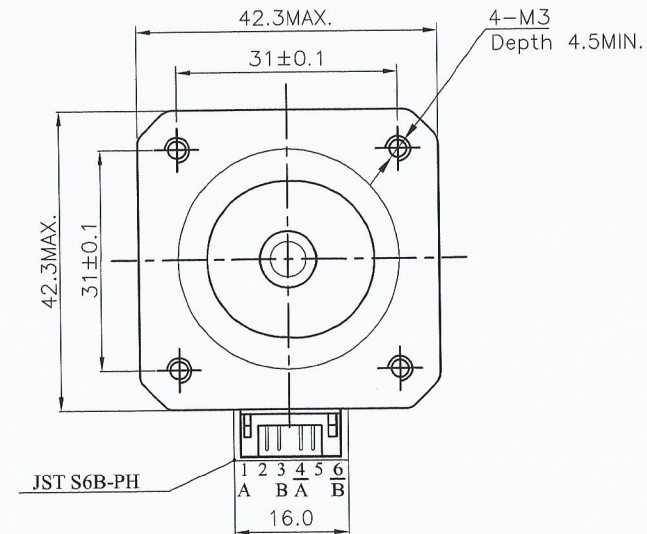
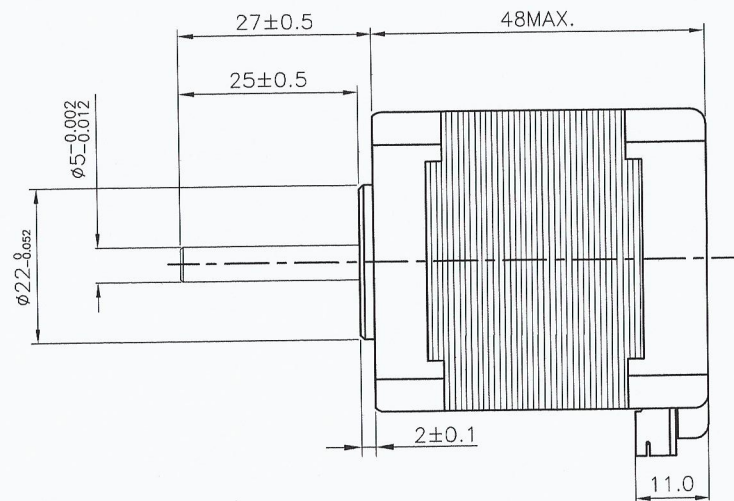
Approve

Martin

Date

2/27/2017

E3D SKU: E-MOTOR-NEMA17-48MM



Items	Specs	Items	Specs
Phase Number	2 phases	Step Angle	0.9°±5%
Rated Voltage	2.8 VDC	Rated Current	DC 1.68 A / Phase
Resistance(20°C)	1.65±10% Ω / phase	Inductance	2.8±20% mH / Phase
Holding Torque	≥ 4.4 Kg-cm(61 Oz.in)	Detent Torque	0.25 Kg-cm REF.
Rotate Direction	ABABA CW	MAX Starting PPS	2500 PPS
MAX slewing PPS	2500 PPS	Insulation Resistance	≥100 MΩ(DC 500V)
HI POT	AC600V/1mA/1S	Insulation Class	Class B
Rotor Inertia	68 g.cm ²	Weight	0.35 Kg REF.

Wiring Diagram

