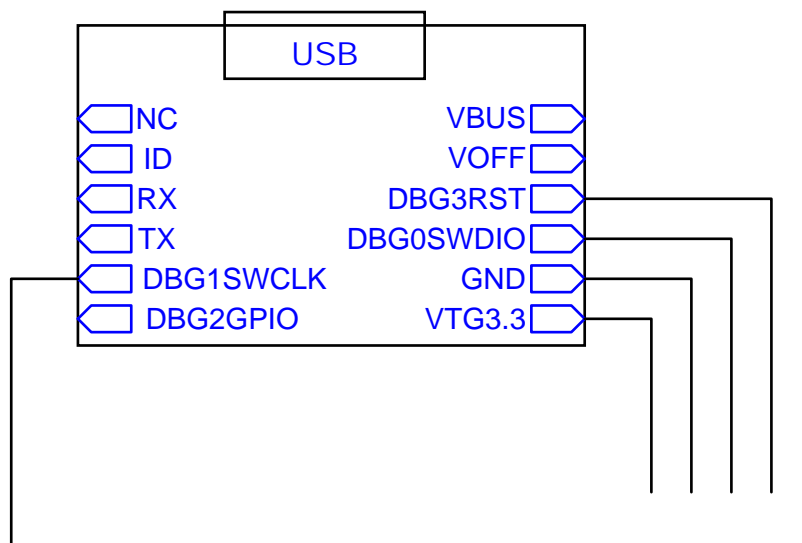


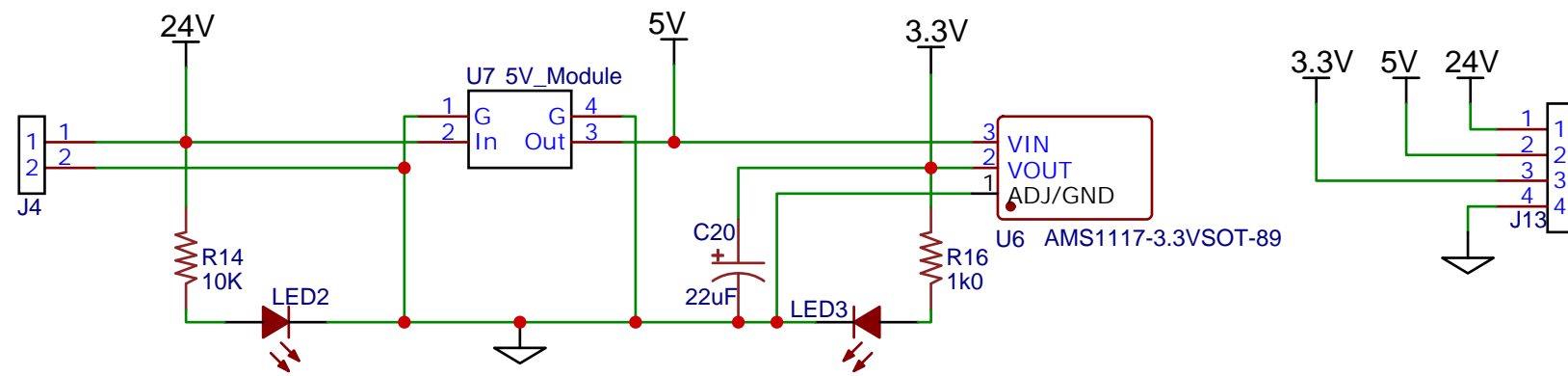
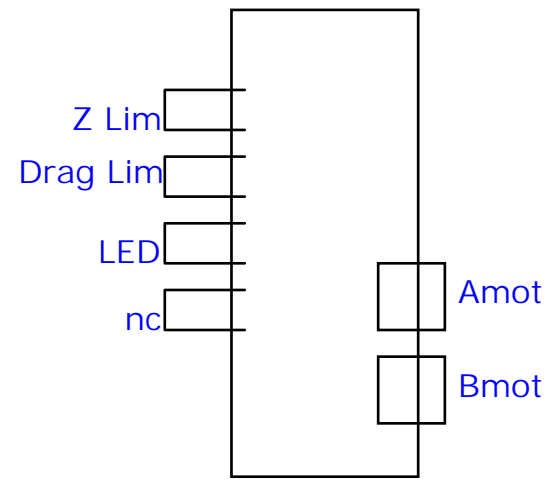
1 2 3 4
 X X X X

TITLE: Sheet_1		REV: 1.0
EasyEDA	Company: Your Company	Sheet: 1/1
	Date: 2024-11-06	Drawn By: wayneosdias

DBG3nRST



TITLE: Sheet_2		REV: 1.0
	Company: Your Company	Sheet: 1/1
	Date: 2024-11-16 Drawn By: wayneosdias	



TITLE: Sheet_3		REV: 1.0
	Company: Your Company	Sheet: 1/1
	Date: 2024-11-16 Drawn By: wayneosdias	